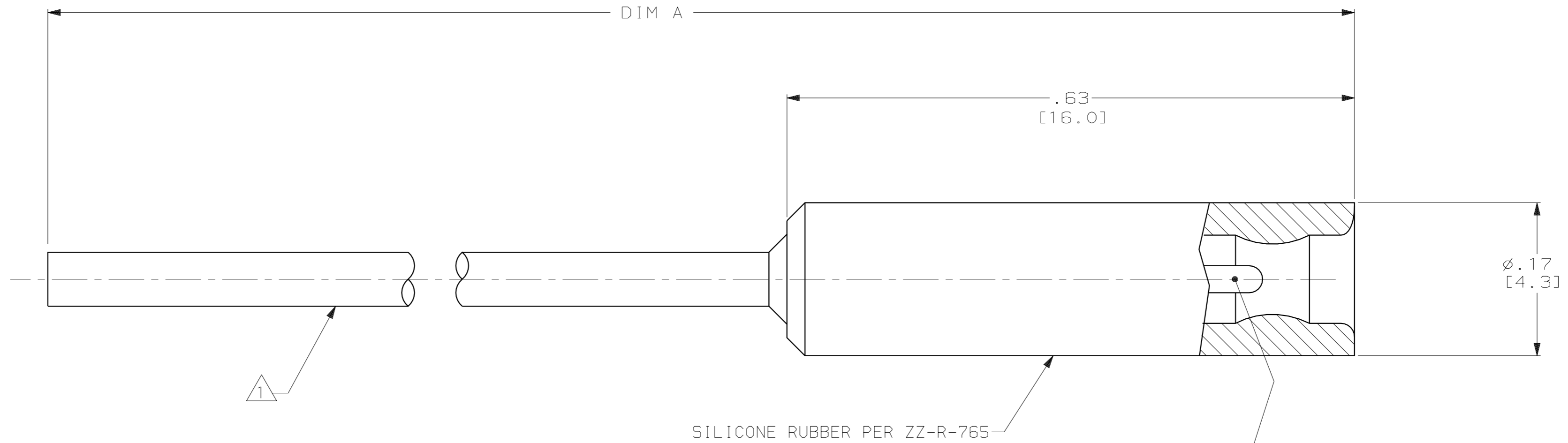


THIS DRAWING IS UNPUBLISHED. RELEASED FOR PUBLICATION ,19  
 © COPYRIGHT 19 BY AMP INCORPORATED. ALL RIGHTS RESERVED.

LOC	DIST	REVISIONS			
P	LTR	DESCRIPTION	DATE	DWN	APVD
DF	SO	D	REV PER 0H14-0493-04	8-6-04	CT DE



SILICONE RUBBER PER ZZ-R-765

SIZE 22 PIN CONTACT  
 MAT'L: BRONZE PER ASTM-B-140  
 FINISH: GOLD OVER NICKEL

- OPERATING VOLTAGE: 6 KVDC  
 TEMPERATURE RANGE: -55°C TO +125°C  
 ALTITUDE: SEA LEVEL TO 70,000 FEET
- THIS RECEPTACLE WILL MATE WITH AMP PART NO. 1218147.
- 100% TESTING FOR DWV AND PARTIAL DISCHARGE PER RAYTHEON SPEC. G718649, GROUP A.
- 100% TESTING FOR DWV AND PARTIAL DISCHARGE PER RAYTHEON SPEC. G719581, GROUP A.

4	15.00±.12 [381.0±3.0]	#24 GA SILICONE COATED FEP .060 O.D. COLOR: RED	1218148-5
3	12.50±.12 [317.5±3.0]	#24 GA SILICONE COATED FEP .060 O.D. COLOR: RED	1218148-4
-	72.00±.72 [1828.8±18.3]	#24 GA SILICONE COATED FEP .060 O.D. COLOR: RED	1218148-3
-	48.00±.48 [1219.2±12.2]	#24 GA SILICONE COATED FEP .060 O.D. COLOR: RED	1218148-2
-	12.50±.12 [317.5±3.0]	#24 GA SILICONE COATED FEP .060 O.D. COLOR: RED	1218148-1
REMARKS	DIM A	WIRE DESCRIPTION 1	PART NUMBER

THIS DRAWING IS A CONTROLLED DOCUMENT.

DWN	C.C. THOMAS	2-11-98	 TYCO Electronics Harrisburg, PA 17105-3608												
CHK	D.EABY	2-11-98													
APVD	D.EABY	2-11-98													
PRODUCT SPEC															
MATERIAL	SEE CALLOUTS		RECEPTACLE, MICRO-MIN, LGH												
DIMENSIONS: INCHES [mm]		TOLERANCES UNLESS OTHERWISE SPECIFIED:	SIZE												
<table border="1"> <tr><td>0 PLC</td><td>±-</td></tr> <tr><td>1 PLC</td><td>±-</td></tr> <tr><td>2 PLC</td><td>±.01 [0.3]</td></tr> <tr><td>3 PLC</td><td>±.005 [0.13]</td></tr> <tr><td>4 PLC</td><td>±-</td></tr> <tr><td>ANGLES</td><td>±-</td></tr> </table>		0 PLC	±-	1 PLC	±-	2 PLC	±.01 [0.3]	3 PLC	±.005 [0.13]	4 PLC	±-	ANGLES	±-	FINISH	-
0 PLC	±-														
1 PLC	±-														
2 PLC	±.01 [0.3]														
3 PLC	±.005 [0.13]														
4 PLC	±-														
ANGLES	±-														
		WEIGHT	-												
		CUSTOMER DRAWING													
		SCALE	10:1												
		SHEET	1 OF 1												
		REV	D												

1218148

A